

VEGATM

Advanced Security products, Ltd.

Contents:

About us	3
Master Key System	4
Euro Profile Cylinder	5
Swiss Profile Cylinder	7
Oval Profile Cylinder	8
Lockwood Profile Cylinder	10
Heavy Duty Padlock	11
High security Padlock	12
Contact us	13

About us

VEGA Advanced Security Products, founded to meet the growing demands for more top quality and high security locking solution. Our team has more than 100 years of combined experience in the security and locking industry working for leading companies worldwide.

VEGA constantly invests in product development, innovation, patents and always searches for new technology to meet today's security challenges. Our products range includes, cylinder profile locks and variety of padlocks. Master key and key alike are also available upon demands.

Please contact us to become VEGA Security Products distributor or to find a local reseller near you.



Master Key System

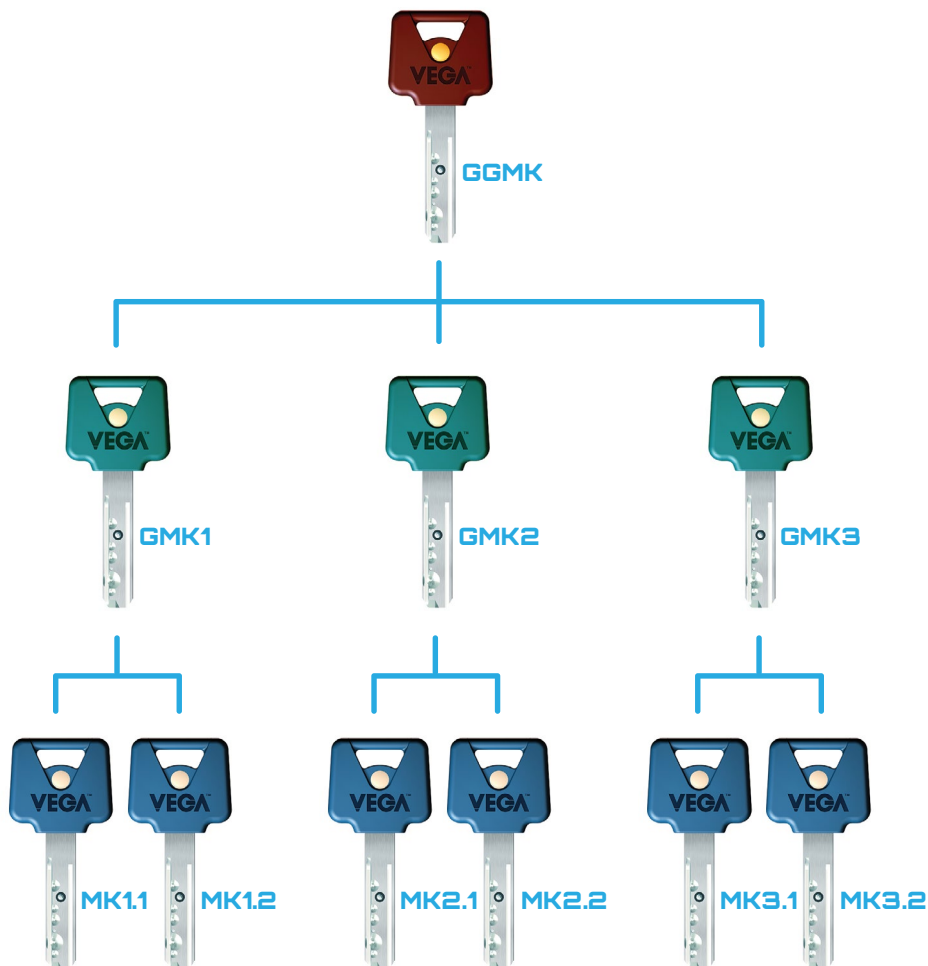


The indispensable and critical component for reliable, effective and a maximum security and safety is the locking system. A good locking system plainly guarantees peace of mind and is easy to manage.

VEGA ensures to serve the vast market a variety of locking system.

VEGA offers original and superior master key system to suit your need for maximum protection and responsive access controls to authorized persons. We assist you in all your concerns from planning a convenient and user-friendly locking system, to selecting the right and durable product fitted for use until its implementation and installation.

VEGA is your partner in ensuring comfort and effective high security locking solution be it commercial, industrial, residential or educational institutions.



VEGA caters to different markets with different needs. We endeavor to put ahead customer needs. We can tailor your specific requirements and needs by providing for master key and key alike upon demand. Through the master key system, users can expect higher sense of security and protection with intelligent and top quality locking system.

Euro Profile Cylinder



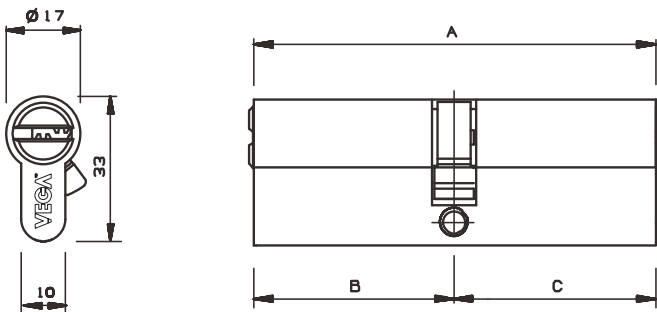
Euro profile cylinder represent the most common lock for locking doors.

Designed for use in various door widths and lock case consist of euro profile measures.

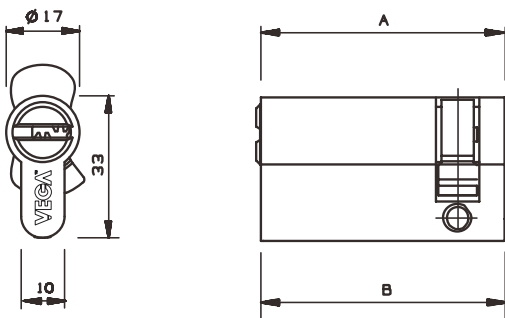
The VEGA cylinder lock protected by patents against unauthorized copying of keys, using VEGA unique and nano capsule system for higher security.



Double Cylinder



Single Cylinder



Operation:

360 rotation by operating the key or thumb turn.

Material:

Brass Body and plug, Nickel silver and stainless steel pins.

Standard Finish:

Nickel Chrome matt, nickel chrome, shiny brass.
(Antique bronze, black, antique brass and PVD are optional upon request).

Keys:

Reversible Nickel Silver keys with plastic key head.

(Optional all nickel silver key)

- All locks are made according to EN 1303 standard.

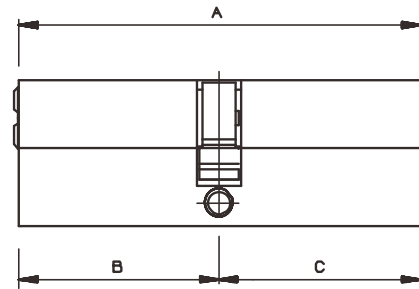
Euro Profile Cylinder



Lengths available (mm)

A	B	C
60	30	30
62	31	31
66	33	33
70	35	35
75	32.5	42.5
76	33	43
76	38	38
80	40	40
82	41	41
86	43	43

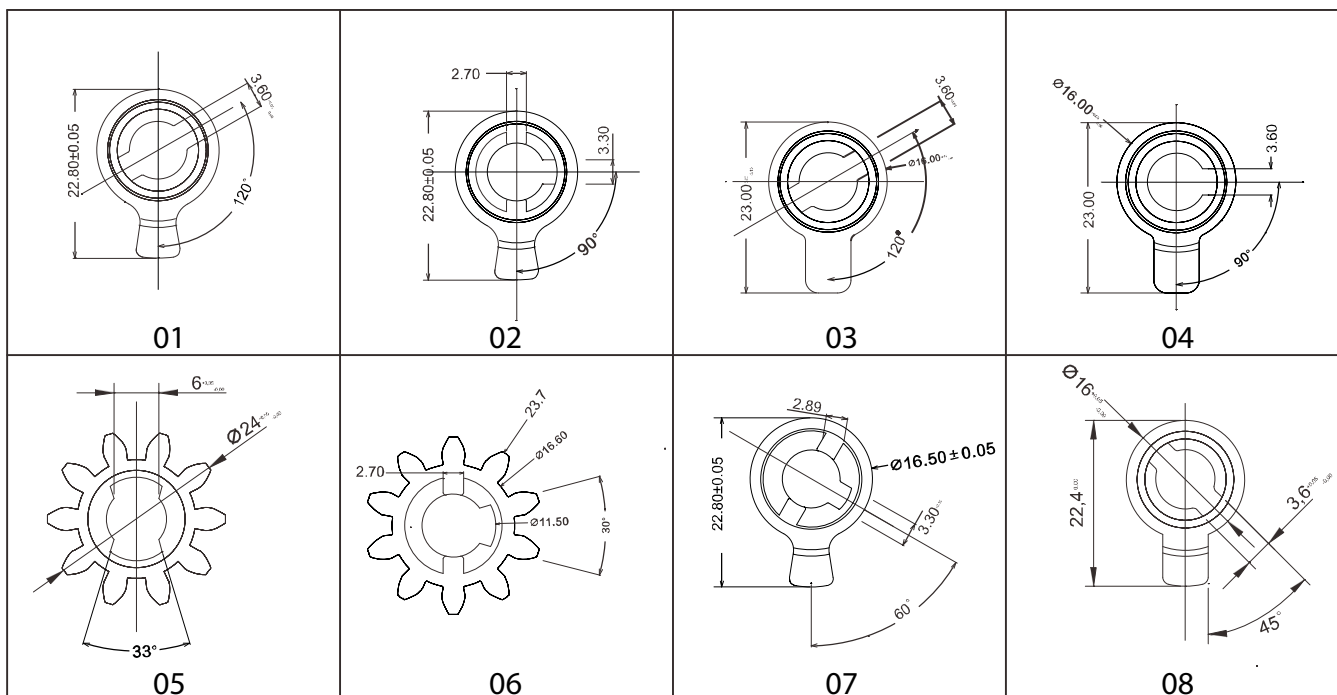
A	B	C
90	45	45
96	48	48
100	50	50
100	38	62
100	48	52
103	63	40
110	60	50
117	50	67
120	65	55



Additional lengths are available by special order.

Cylinder Cams

Options Available (mm)

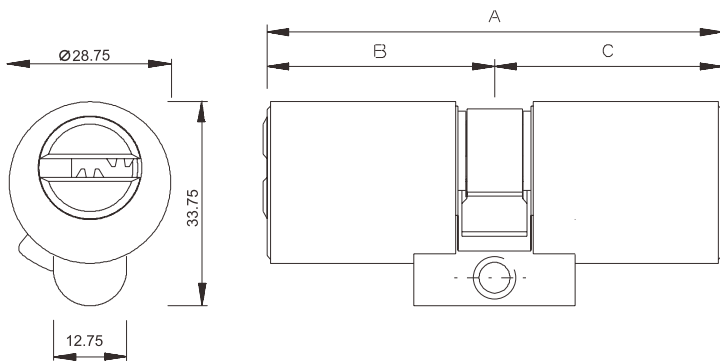


Swiss Profile Cylinder

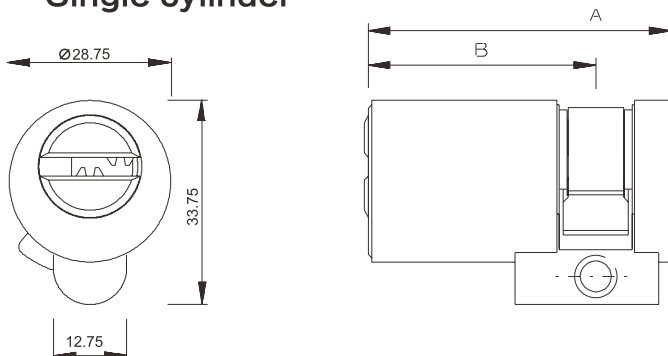


Suitable for all lock cases using Swiss profile cylinder.

Double cylinder



Single cylinder



Operation:

360 rotation by operating the key.

Material:

Brass Body, Nickel Silver and stainless steel pins.

Standard Finish:

Nickel chrome matt, Nickel chrome, Shiny brass.
(More finishes are optional upon request)

Keys:

Reversible nickel silver keys with plastic key head.

(Optional all nickel silver key)

- We manufacture according to DIN EN 1303

*Please contact us for additional lengths.

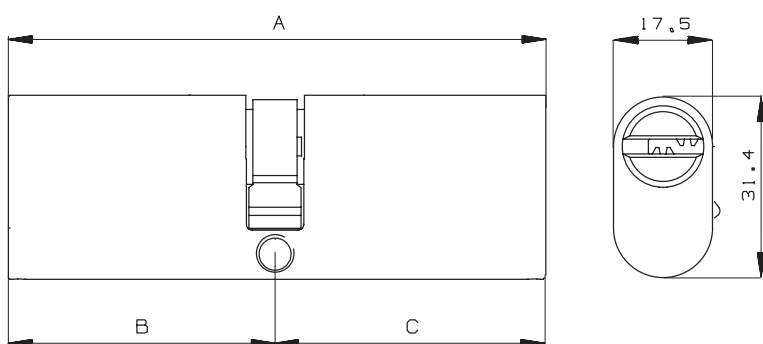
Oval Profile Cylinder



Oval profile cylinder designed for use in various door widths and lock case consist of oval profile measures.



Double Cylinder



Operation:

360 rotation by operating the key or thumb turn.

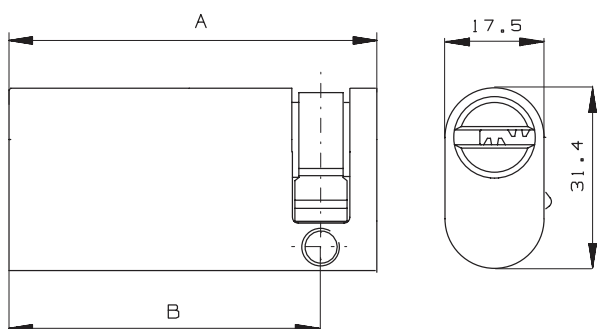
Material:

Brass Body and plug, Nickel silver and stainless steel pins.

Standard Finish:

Nickel Chrome matt, nickel chrome, shiny brass.
(Antique bronze, black, antique brass and PVD are optional upon request).

Single Cylinder



Keys:

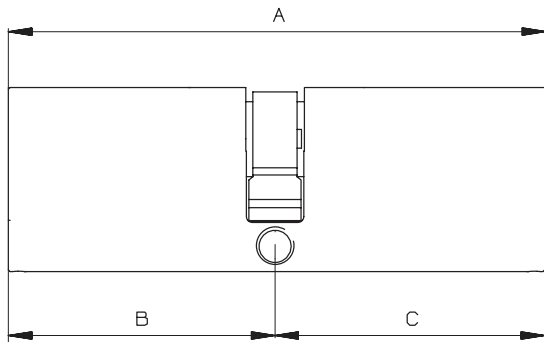
Reversible Nickel Silver keys with plastic key head.
(Optional all nickel silver key)

- All locks are made according to EN 1303 standard.

Oval Profile Cylinder



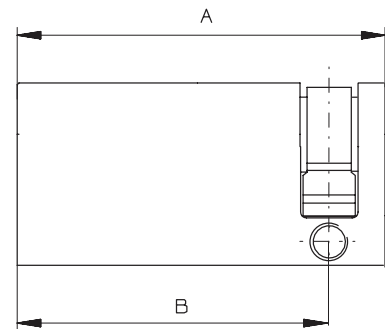
Lengths Available (mm)



Double Cylinder

A	B	C
62	31	31
66	33	33
70	35	35
71	33	38
75	35	40
76	33	43
80	35	45
80	40	40
85	35	45
85	40	40
90	35	55
90	40	50
90	45	45
95	35	60
95	40	55

A	B	C
95	45	50
100	35	65
100	40	60
100	45	55
100	50	50
105	35	70
105	40	65
105	45	60
105	50	55
110	40	70
110	45	65
110	50	60
115	45	70
115	50	65
120	50	70



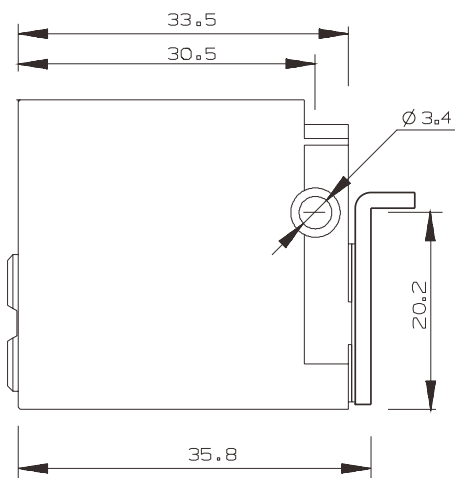
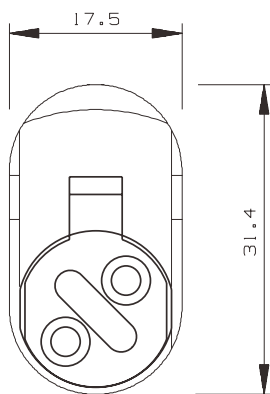
Single Cylinder

A	B
42.5	33
44.5	35
49.5	40
54.5	45
59.5	50
64.5	55
69.5	60
74.5	65
79.5	70

Lockwood Cylinder



For use with “lockwood” type lock case.



Operation:

360 rotation by operating the key or thumb turn.

Material:

Brass Body and plug, Nickel silver and stainless steel pins.

Standard Finish:

Nickel Chrome matt, nickel chrome, shiny brass.
(Antique bronze, black, antique brass and PVD are optional upon request).

Keys:

Reversible Nickel Silver keys with plastic key head.

(Optional all nickel silver key)

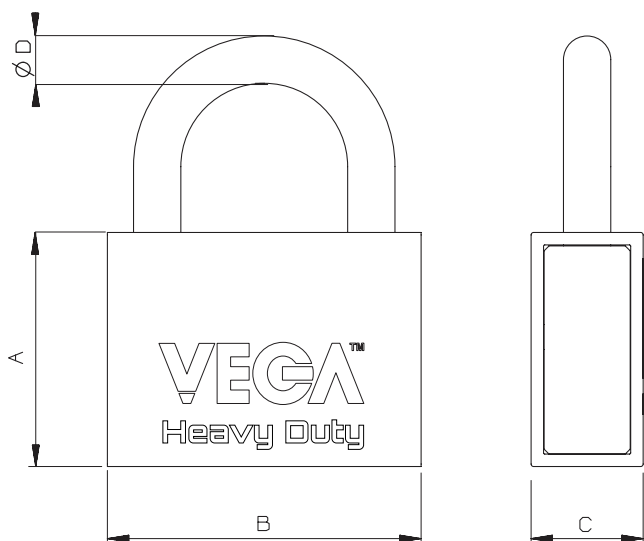
- All locks are made according to EN 1303 standard.

Heavy Duty Padlock



Application:

Heavy duty padlock, for use as stand-alone padlock
Or with hasps and shackle protectors.



Padlock	A	B	C	D
HD8	mm 47	50	22	7.9
HD10	mm 47	63	22	9.5
HD13	mm 51	73	25	12.7
HD16	mm 53	92	32	15.8

Operation:

Unlocking with 50°-60° key rotation.

Options:

Variety of shackle clearances.
Available in black or nickel finish.

Material:

Shell: Hardened Steel.
Core: Black Plated Solid Brass.
Shackle: Hardened Boron Alloy Steel.

Additional features:

Protective shutter to prevent dust.
Drainage holes to prevent freezing.

Keys:

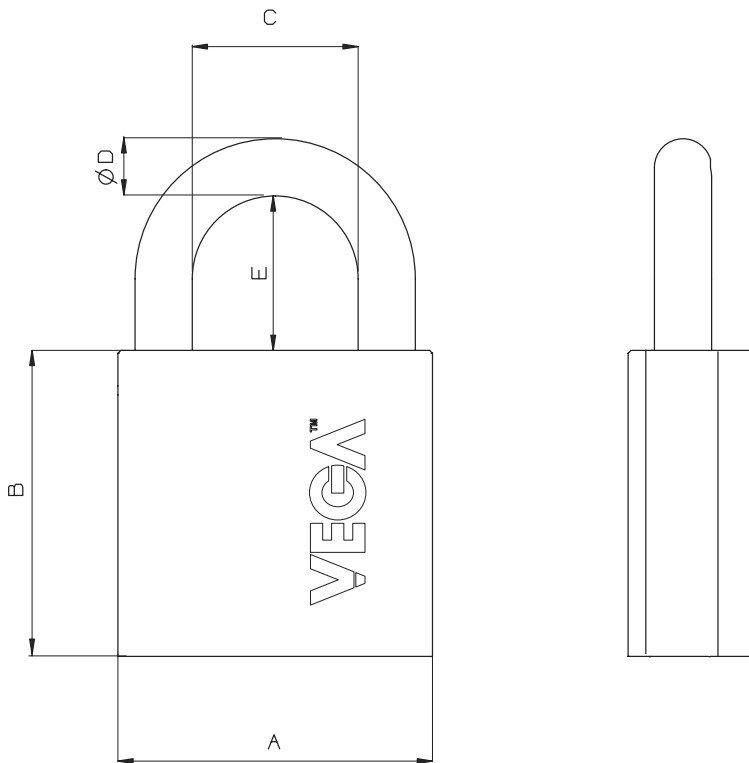
Reversible Nickel Silver key with plastic key head.
(Optional all nickel silver key)

High Security Padlock



Application:

All Purpose High Security Padlock.



Operation:

Locked with double ball bearing mechanism. 90° key rotation to unlock.

Material:

Body: Stainless Steel
Shackle: Hardened Alloy Steel.

Padlock		A	B	C	D	E
H5-50	mm	50	51	25	8	26.5
H5-60	mm	60	55	30	12	27



Contact us:



VEGA A.S.P. Ltd

18 Percival Street,
Causeway Bay, Hong Kong



+852-301-84989



info@vegalock.com



www.vegalock.com